



Designed for curved staircases,
stairs with intermediate landings
or where out-of-the-way
parking is desired

Durable, reliable and
easy to use

Battery operated with built-in
charging stations so the chair is
always ready to go even
during a power failure

Savaria® Stairfriend 23 Stairlift

FOR CURVED STAIRCASES

Many people dread the thought of moving just to avoid climbing stairs. After all, this is the home you've enjoyed for many years with family and friends. The Savaria Stairfriend 23 can give you the freedom to stay in your home and enjoy it without the worry of navigating stairs. Ride in comfort around curves, landings or changes in direction with the Stairfriend – specifically designed for your home.

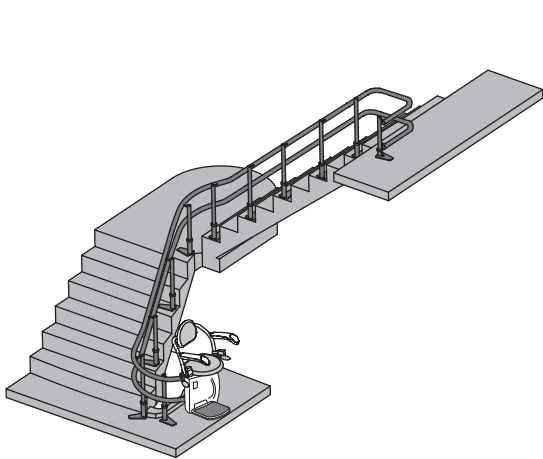
Installing the Savaria Stairfriend 23 usually involves only two visits to your home. The first visit includes a precision measuring session to ensure a perfect fit for your stairs and the installation is easily completed on the second visit. Move up, not out with Stairfriend, from industry leader Savaria.



 savaria®

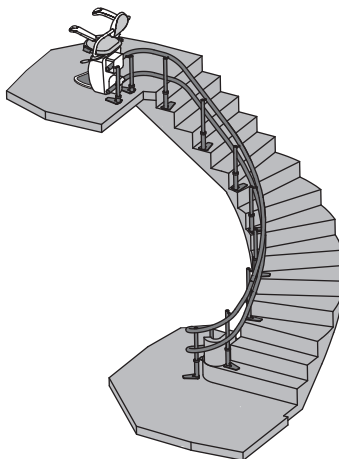
all types of stairs

The Stairfriend can be installed on virtually any type of staircase.



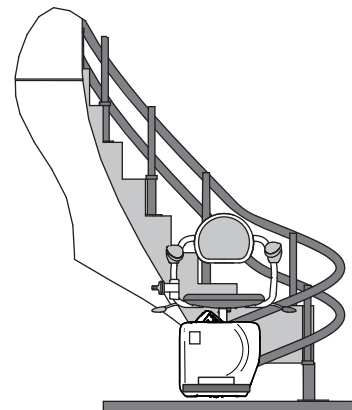
LANDINGS OR TURNS

Many staircases feature an intermediate landing that may also accommodate a turn in the direction of the stairs. Stairfriend can easily be configured to travel at virtually any angle to follow the path of your stairs. The travel rail can be mounted close to the wall on self-support posts or alongside the railing.



CURVES OR SPIRALS

Spiral or curved stairs can be very complex to accurately measure by hand, but with the Savaria photo measuring system, no curves are too challenging to measure with accuracy. This ensures a perfect fit for installation, making installation services very efficient.



OPTIONAL FEATURES

The Stairfriend can also accommodate optional features such as out-of-the-way parking, that allows you to park your chair away from the bottom or top of your stairs. You can also add an overrun of rail to extend the Stairfriend stop position to a more convenient location. These optional features can be added to any configuration of stairs.

features to count on

BATTERY OPERATED

Stairfriend is battery powered with built-in charging stations located at the top and bottom landings. If you experience a power failure, your stairlift can be operated typically with several trips up and down. Additional charging stations are added at intermediate landings for convenience.

EASY OPERATION

Stairfriend has a 300 lb capacity, with optional 350 lb capacity. It is operated through two radio frequency remote controls or the easy-to-use armrest controls.

HIDE-A-WAY OPTIONS

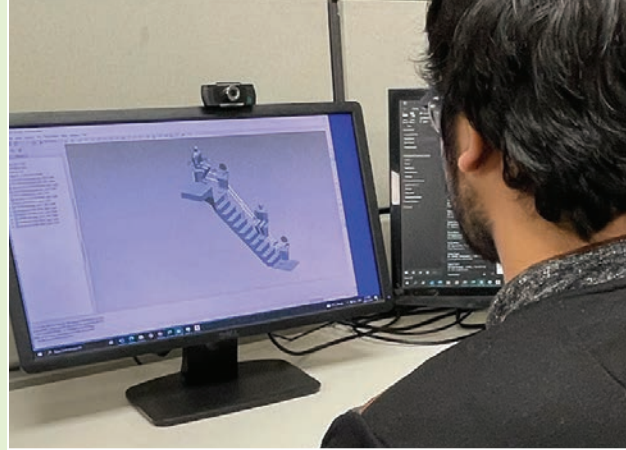
To keep the unit compact when not in use, the footrest and seat fold up. You can also add a parking feature that allows the chair to land around a bend at the bottom or top of the stairs, keeping the stairway completely clear when the unit is not running.



Add parking to any type of stairs



see it on your stairs



HOME ASSESSMENT AND MEASURING

With the PS4D photo measuring system from Savaria, your local dealer can show you what the Stairfriend will look like on your staircase – before you place your order. See how your configuration will look including your choice of seat and any parking features you wish to add. Your stairs are measured precisely for a custom fit rail which is fabricated in our North American factory with state-of-the-art manufacturing equipment.

INSTALLATION

Installation is generally simple and takes a few hours to a full day to complete. The dealer will show you how to use your Stairfriend in a few easy steps to make sure you feel comfortable with the operation.



The swivel and lock seat keeps the chair stable for deboarding.

RELIABLE QUALITY

Built by industry leader Savaria, the Stairfriend 23 is designed to deliver long lasting reliability in your home. Stairfriend features a smooth start and stop using a rack and pinion drive on the double rail system. The Stairfriend is backed by a 3 year parts warranty.

SAFETY AT EVERY TURN

The Savaria Stairfriend has many safety features including a retractable seat belt, overspeed brake, footrest and carriage obstruction sensors, and a swivel and lock seat to enable deboarding at the top landing angled away from the stairs.



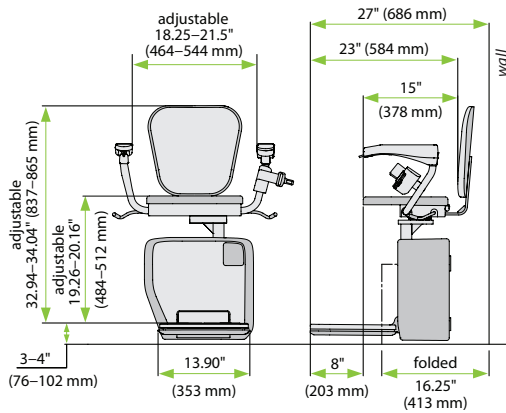
Optional V seat shown above

Savaria® Stairfriend 23 Stairlift

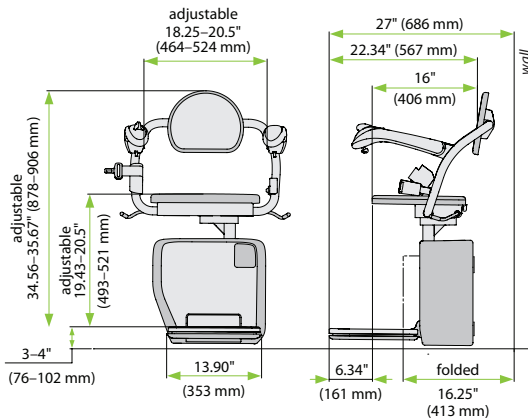
FOR CURVED STAIRCASES

DIMENSIONS

L SEAT



V SEAT



Your authorized Savaria dealer provides measuring services and professional installation of the Savaria Stairfriend 23.

To locate a dealer near you, call us today at 1-855-Savaria.

SPECIFICATIONS

Applications	Residential, indoor
Capacity	300 lb (136 kg), optional 350 lb (160 kg)
Nominal speed	20 ft/min (0.1 m/s), 12 ft/min (0.06 m/s) through curves
Drive	Rack and pinion
Motor	0.6 hp, 24V (DC) power that charges on standard household power
Fold-up depth ¹	16.25" (413 mm)
Fold-out depth ¹	27" (686 mm), with offset footrest: 25.75" (660 mm), with small footrest: 25" (640 mm)
Range of incline	0° to 56°
Warranty	36 months parts, ask dealer for details

¹ at level landing



In business for over 30 years, Savaria designs, engineers and manufactures products to help people gain personal mobility. We produce elevators – from basic to luxurious – for homes and select commercial applications. We also make a complete range of accessibility lifts for residential use and demanding commercial environments.

All of our products are made with the goal of helping people move – whether it's to improve mobility issues or to simply make life easier. Authorized Savaria dealers are carefully selected for their knowledge and experience, kept up-to-date with the latest technical and training sessions, and supported with our expert customer service.

Authorized Savaria dealer:

 savaria.

savaria.com

2 Walker Drive Brampton ON L6T 5E1 Canada

tel: 800.661.5112